

Teclumos Circular Sight Glass Fitting CSR (similar to DIN 28120)

• Application:

These Teclumos sight glasses are circular flanged ports for welding onto the low-pressurized vessel wall. They are designed for viewing of the internals of pressure vessels, tanks, silos, stirred vessels, separators pipelines, etc.

• Features and Options:

- Nominal Pressure: 0/2.5 bar
- Temperature: max. 150°C with soda-lime glass DIN 8902, max. 280°C with borosilicate glass DIN 7080
- Smaller outer diameter, lower weight, lower cost, easier to clean

• Assembly:

After having correctly welded the base flange onto or into the vessel wall, the product side gasket, the glass disc, the cover side gasket and the cover flange are mounted one after the other, and then the socket head screws tightened against the cover flange resp.

• Materials of components:

Item	Part	Material
1	Base flange	Steel RSt 37-2, AISI 316 or other
2	Cover flange	Steel RSt 37-2, AISI 316 or alternative
3	Gaskets	Silicon, PTFE or other
4	Nuts	Stainless steel A2 or alternative
5	Bolts	Stainless steel A2 or other
6	Glass disc	Sodium silicate glass to DIN 8902 or Borosilicate glass to DIN 7080

• Dimensions:

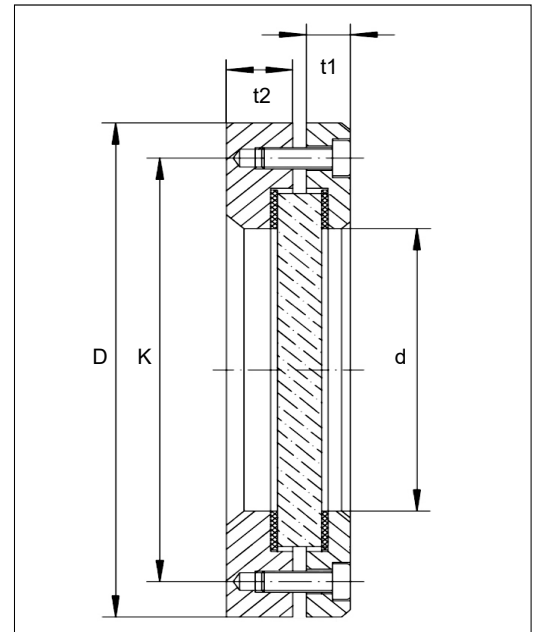
Size	A	B	C	8	9
DN	50	80	100	125	150
PN	0/2.5	0/2.5	0/2.5	0/2.5	0/2.5
D	140/150	165/175	190/200	215/220	240/250
K	120/125	145/150	170/175	195	220
d	80	100	125	150	175
t1	10/12	10/14	10/14	10/16	10/16
t2	15/24	15/24	15/24	15/24	15/24
BS (Bolts size)	M 6/M 12	M 6/M 12	M 6/M 12	M 6/M 12	M 6/M 12
BN (Bolts no.)	4	4/8	4/8	8	8

- Other dimensions on request.

All dimensions in mm.



Design of Teclumos circular sight glass fitting CSR for low-pressurized vessels



Teclumos Co.

Saray Mah. Dr. Adnan Büyükdeniz
Cad. Ümraniye, İstanbul, Turkey
E-Mail: info@teclumos.com
Web: www.teclumos.com